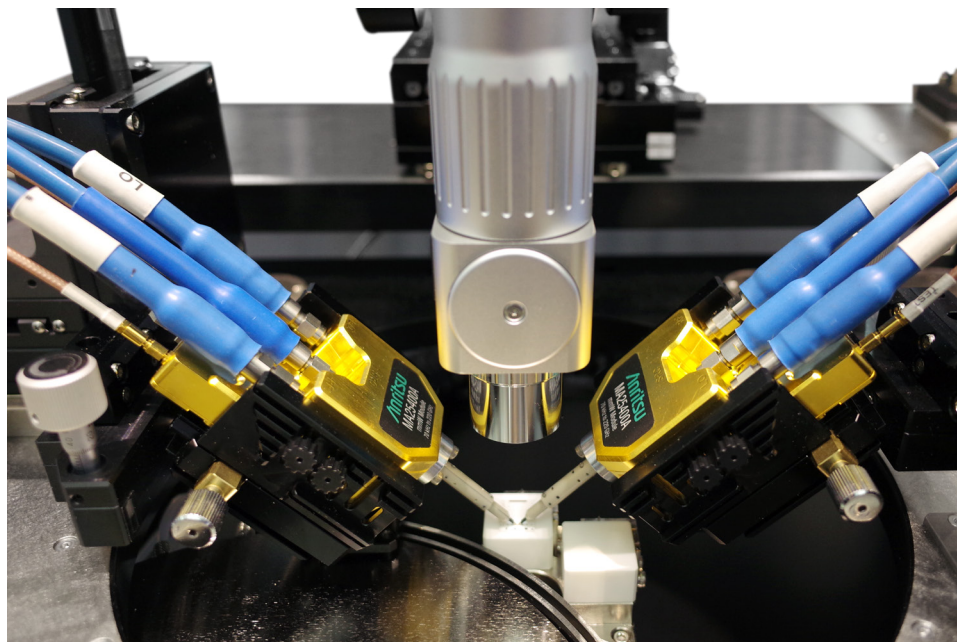


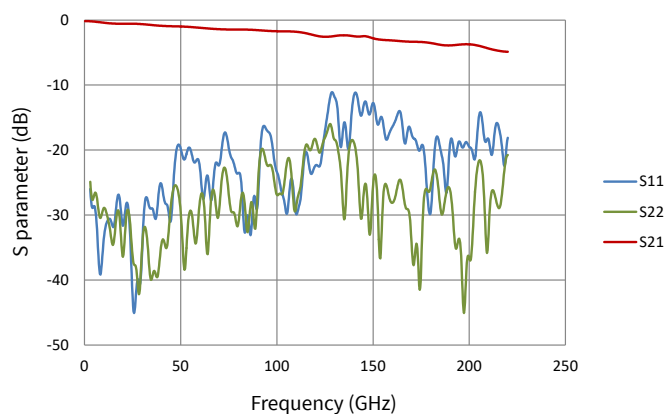
TITAN™ プロブ、DC~ 220 GHz



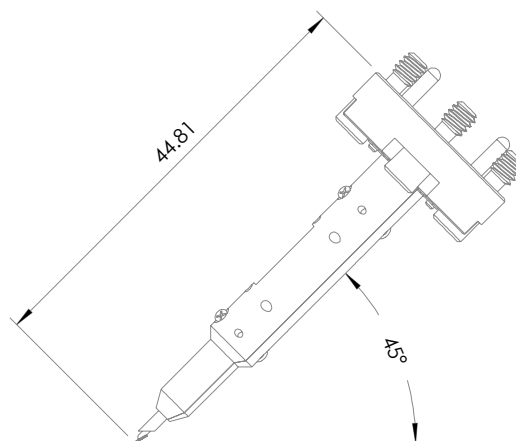
特性

チップ材質	ニッケル合金
グラウンド-シグナル間のアライメント誤差	< +/- 3 μm
接触面幅	15 μm
接触抵抗(Au パッド)	< 6 m Ω
接触抵抗(Al パッド)	< 45 m Ω
温度範囲	-40 $^{\circ}\text{C}$ ~ +150 $^{\circ}\text{C}$
ピッチ範囲	50, 75, 100 および 125 μm
チップ構成	GSG
周波数範囲	DC ~ 220 GHz

電気特性(代表値)

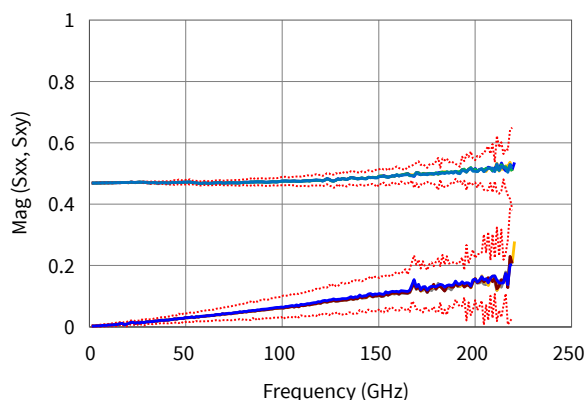


本体寸法

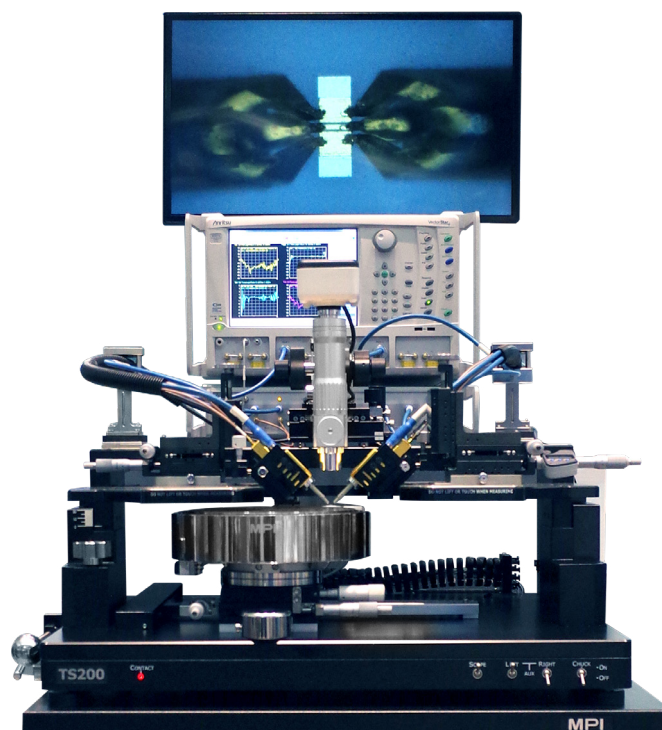
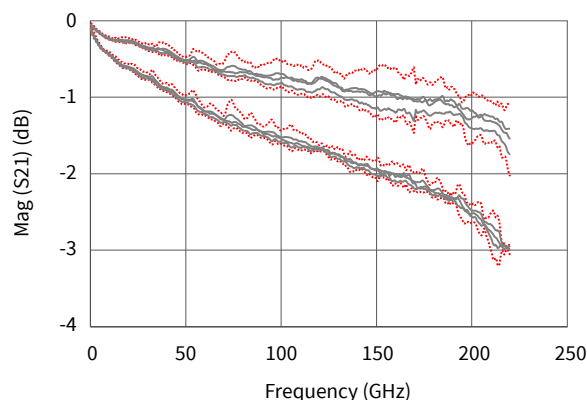


■ 測定例

同一実験室内での6dBマッチド・アテネータの5回の測定¹



2つの伝送路の実験室間測定比較²



■ 参考文献

- [1] A. Rumiantsev, J. Martens and S. Reyes, " Calibration, Repeatability and Related Characteristics of On-wafer, Broadband 70 kHz–220 GHz Single-Sweep Measurements", 2020 95th ARFTG Microwave Measurement Conference (ARFTG) 4-6 Aug. 2020, Pages: 1-4.
- [2] A. Rumiantsev, R. Doerner, J. Martens, S. Reyes, "Inter-Laboratory Comparison of On-Wafer Broadband 70 kHz – 220 GHz Single-Sweep Measurements," 51st European Microwave Week EuMW, London 2022.

Direct contact:
 Asia region: ast-asia@mpi-corporation.com
 EMEA region: ast-europe@mpi-corporation.com
 America region: ast-americas@mpi-corporation.com

MPI global presence: for your local support, please find the right contact here:
www.mpi-corporation.com/ast/support/local-support-worldwide

© 2022 Copyright MPI Corporation. All rights reserved.

MPI Global Presence

